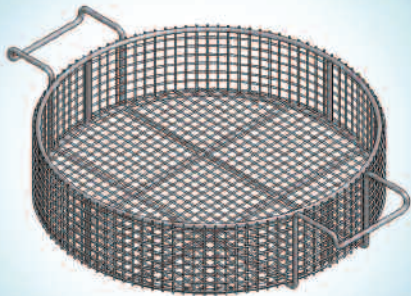
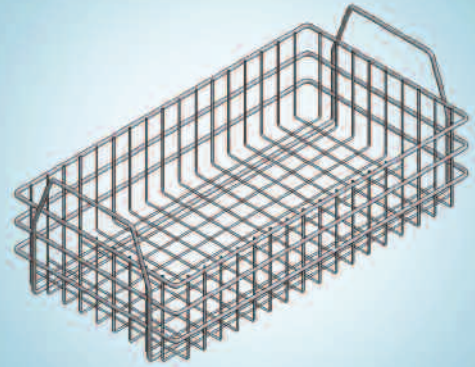


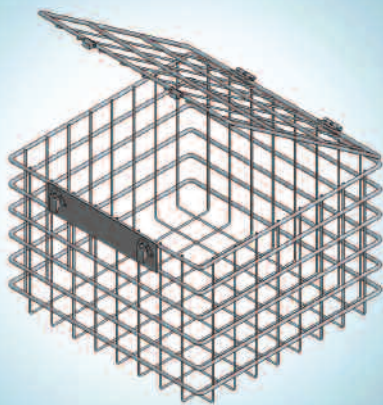
Engineered Solutions *Fast*



857001



831001



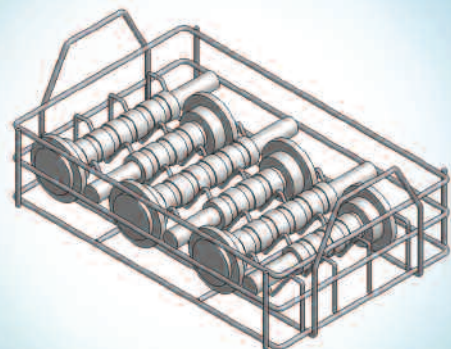
887001



100



221001



837002

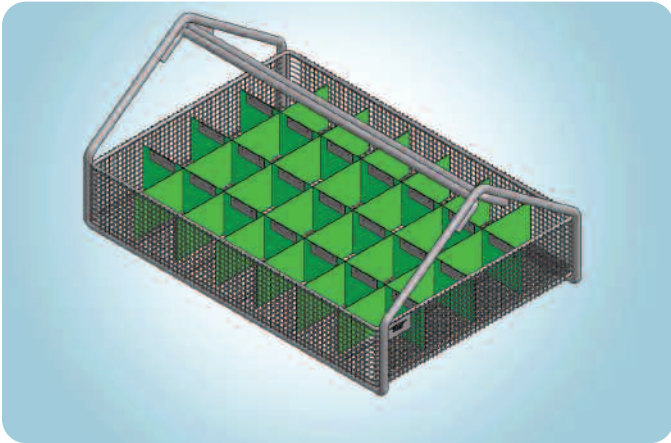
Marlin Steel Wire Products

410-644-7456 • 410-644-7457 fax • engineering@marlinwire.com • www.marlinwire.com

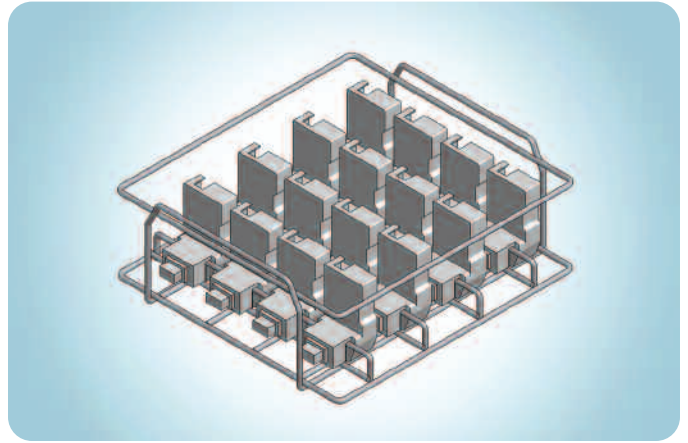
SINCE 1968 • USA QUALITY • OUR CLIENTS INCLUDE BAXTER, BOEING, BOSTON SCIENTIFIC, CATERPILLAR, FORD, GENERAL ELECTRIC, GENERAL MOTORS, HONEYWELL, JOHNSON & JOHNSON, ROLLS-ROYCE, RUBBERMAID, SIEMENS, SIKORSKY, TOYOTA, ZIMMER



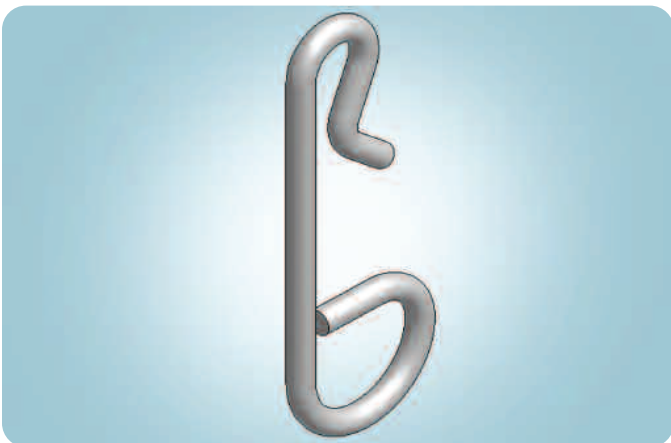
Racks, Baskets, Hooks *Fast*



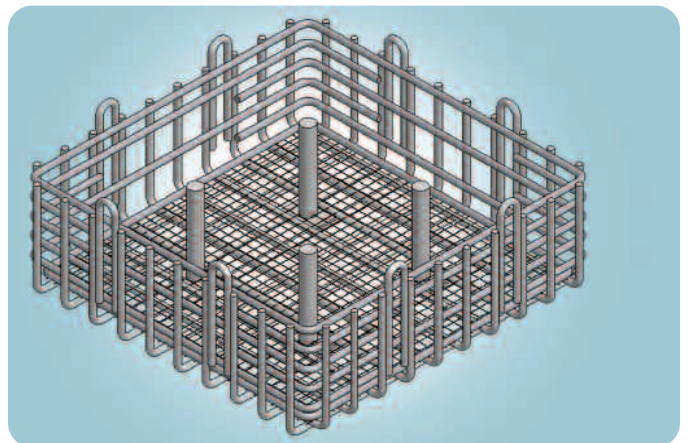
855001



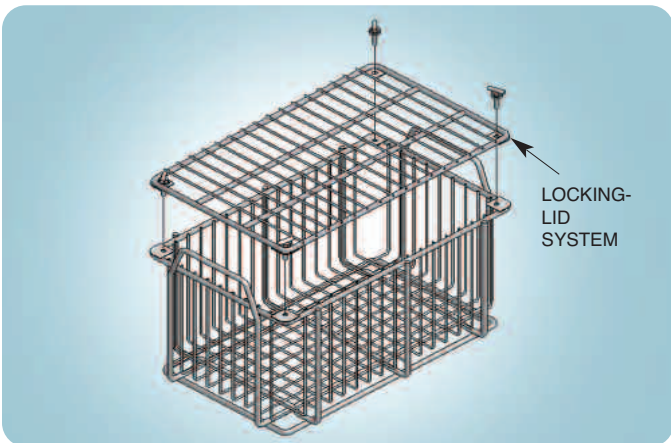
903001



439001

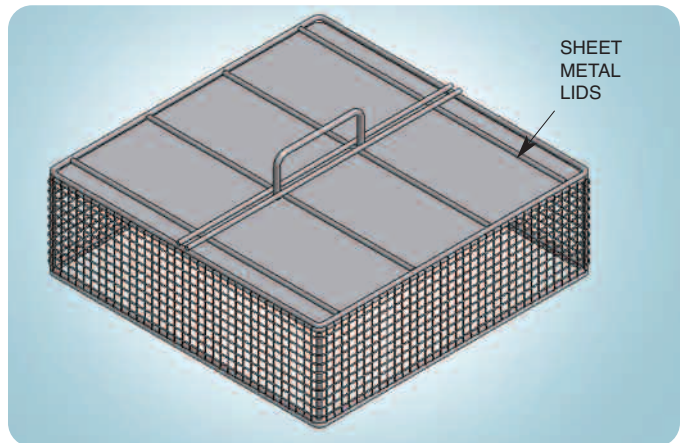


440001



479001

LOCKING-
LID
SYSTEM



441001

SHEET
METAL
LIDS

Marlin Steel Wire Products

410-644-7456 • 410-644-7457 fax • engineering@marlinwire.com • www.marlinwire.com

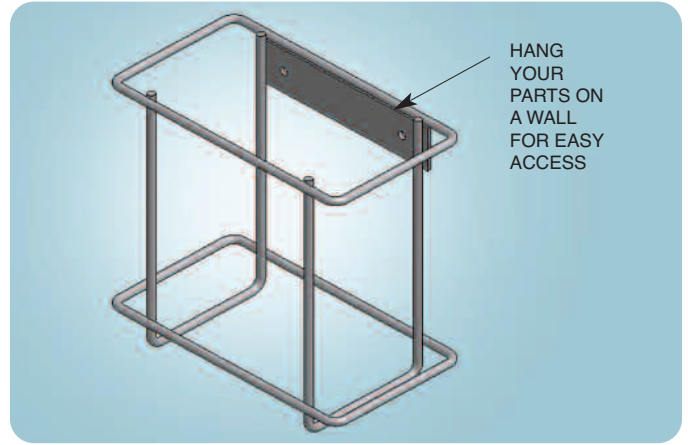
SINCE 1968 • USA QUALITY • OUR CLIENTS INCLUDE BAXTER, BOEING, BOSTON SCIENTIFIC, CATERPILLAR, FORD, GENERAL ELECTRIC, GENERAL MOTORS, HONEYWELL, JOHNSON & JOHNSON, ROLLS-ROYCE, RUBBERMAID, SIEMENS, SIKORSKY, TOYOTA, ZIMMER



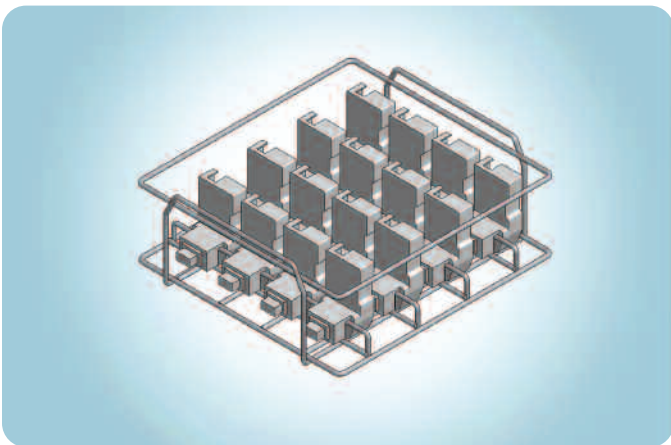
Racks, Baskets, Hooks *Fast*



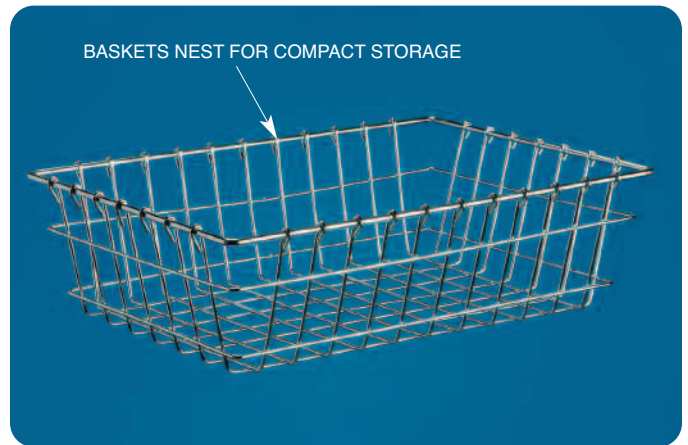
286001



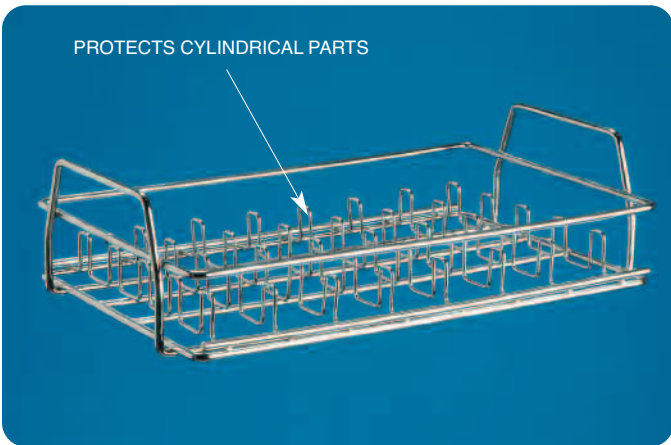
831001



903001



152



221001



837002

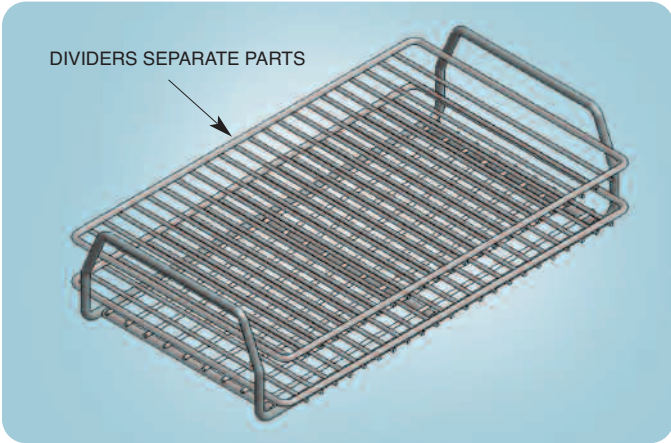
Marlin Steel Wire Products

410-644-7456 • 410-644-7457 fax • engineering@marlinwire.com • www.marlinwire.com

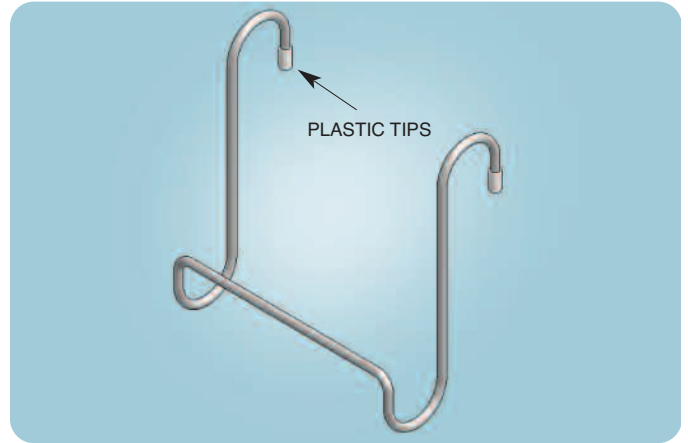
SINCE 1968 • USA QUALITY • OUR CLIENTS INCLUDE BAXTER, BOEING, BOSTON SCIENTIFIC, CATERPILLAR, FORD, GENERAL ELECTRIC, GENERAL MOTORS, HONEYWELL, JOHNSON & JOHNSON, ROLLS-ROYCE, RUBBERMAID, SIEMENS, SIKORSKY, TOYOTA, ZIMMER



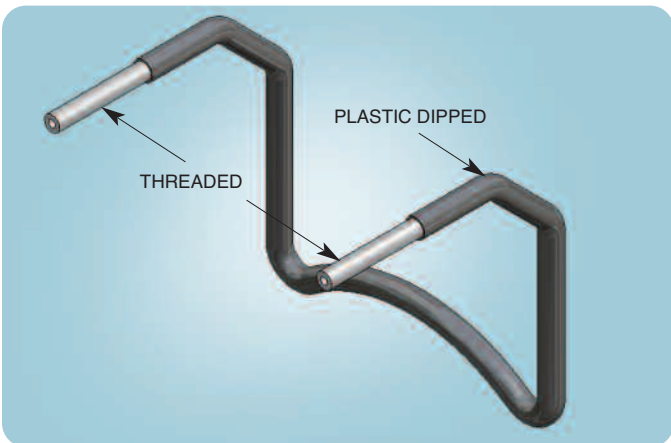
Racks, Baskets, Hooks *Fast*



28801



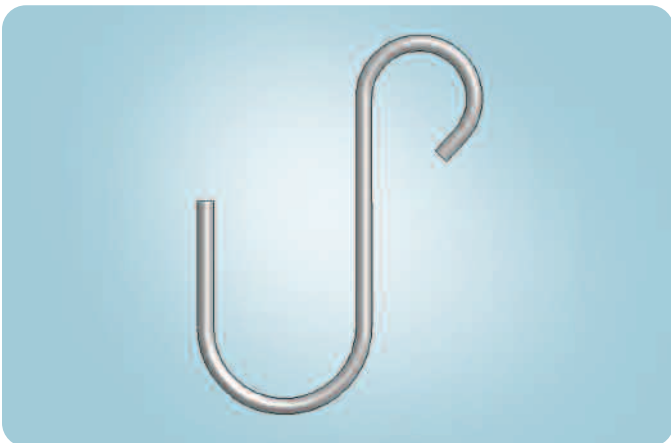
Hook 214001



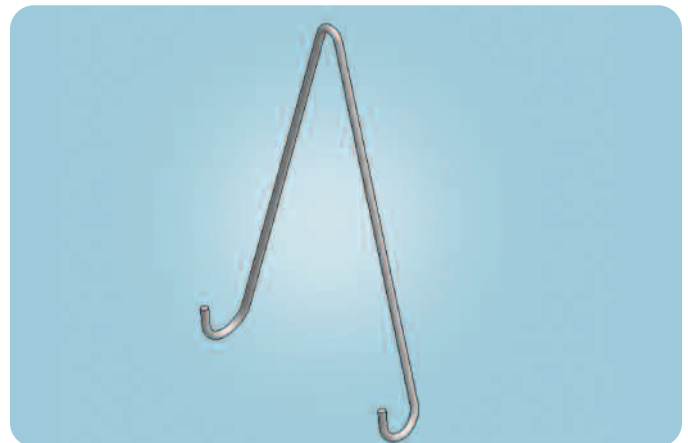
887001



224001



Hook 210001



125001

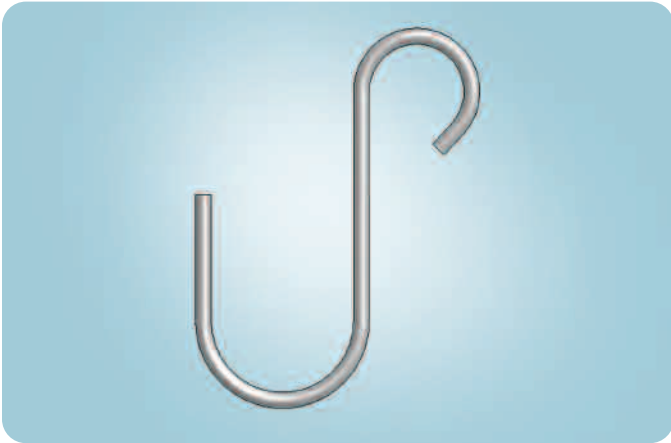
Marlin Steel Wire Products

410-644-7456 • 410-644-7457 fax • engineering@marlinwire.com • www.marlinwire.com

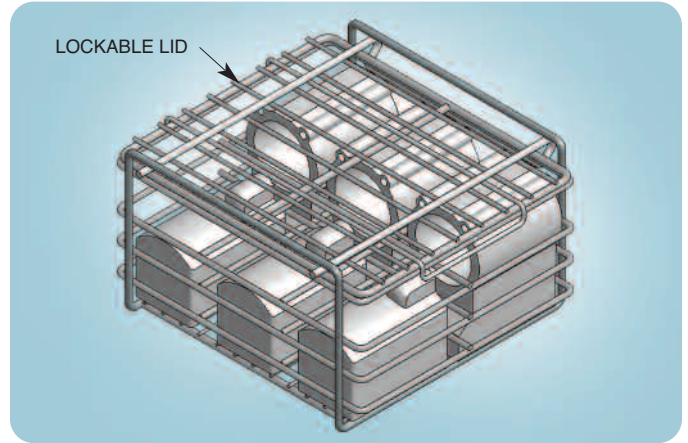
SINCE 1968 • USA QUALITY • OUR CLIENTS INCLUDE BAXTER, BOEING, BOSTON SCIENTIFIC, CATERPILLAR, FORD, GENERAL ELECTRIC, GENERAL MOTORS, HONEYWELL, JOHNSON & JOHNSON, ROLLS-ROYCE, RUBBERMAID, SIEMENS, SIKORSKY, TOYOTA, ZIMMER



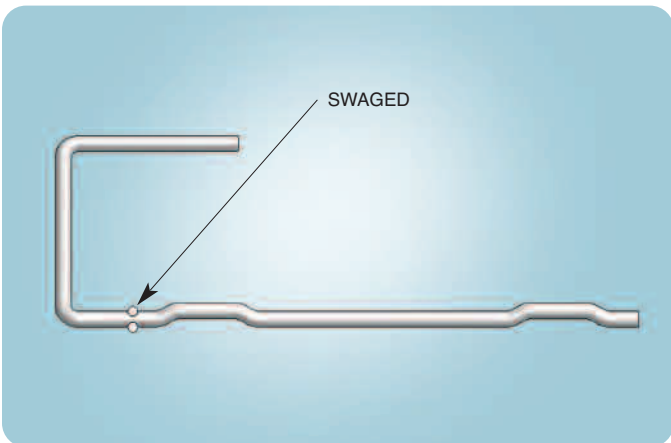
Racks, Baskets, Hooks *Fast*



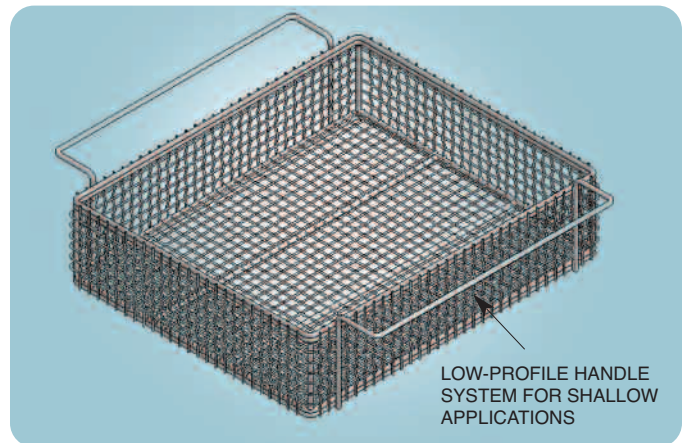
Hook 210001



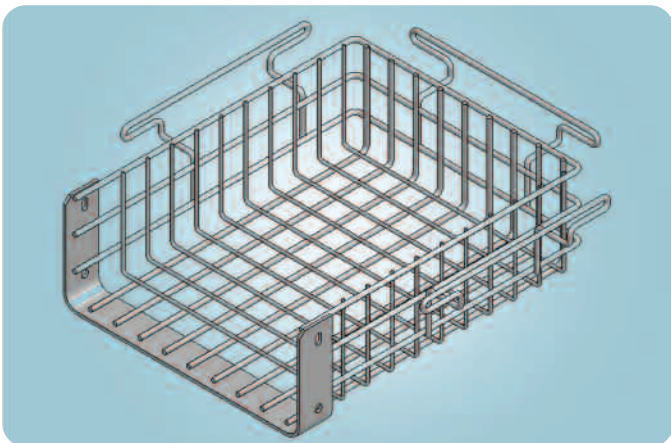
288003



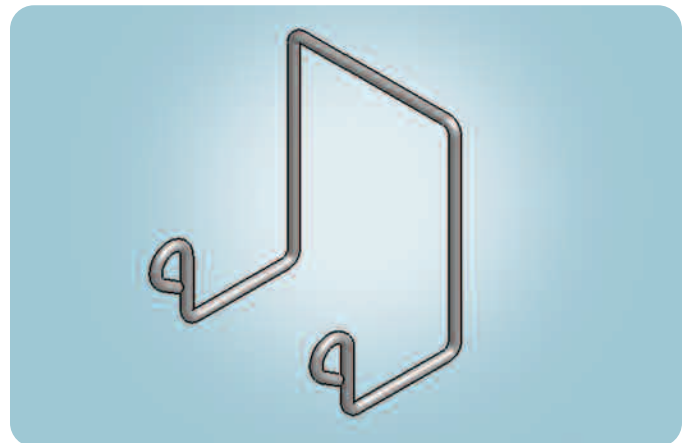
887001



274001



93001



242001

Marlin Steel Wire Products

410-644-7456 • 410-644-7457 fax • engineering@marlinwire.com • www.marlinwire.com

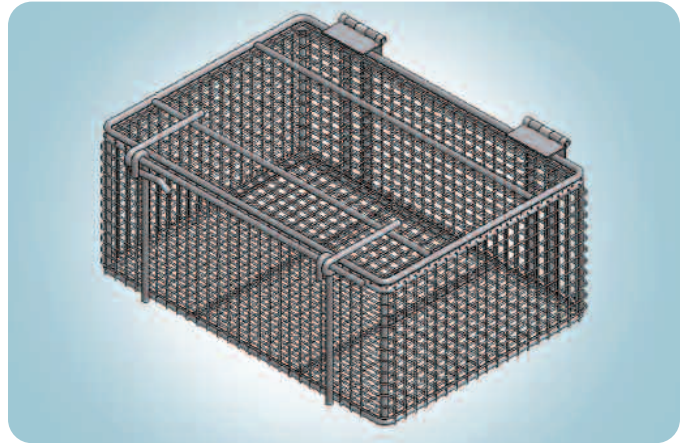
SINCE 1968 • USA QUALITY • OUR CLIENTS INCLUDE BAXTER, BOEING, BOSTON SCIENTIFIC, CATERPILLAR, FORD, GENERAL ELECTRIC, GENERAL MOTORS, HONEYWELL, JOHNSON & JOHNSON, ROLLS-ROYCE, RUBBERMAID, SIEMENS, SIKORSKY, TOYOTA, ZIMMER



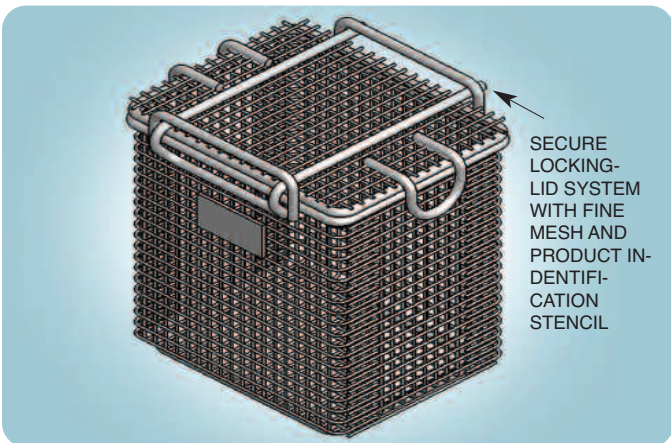
Racks, Baskets, Hooks *Fast*



Hook 116001

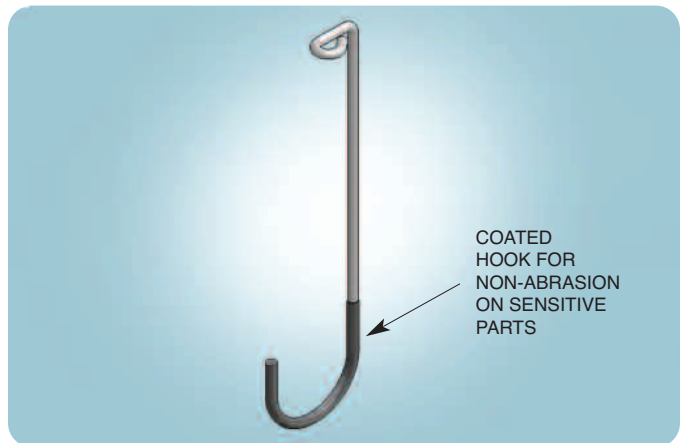


304002



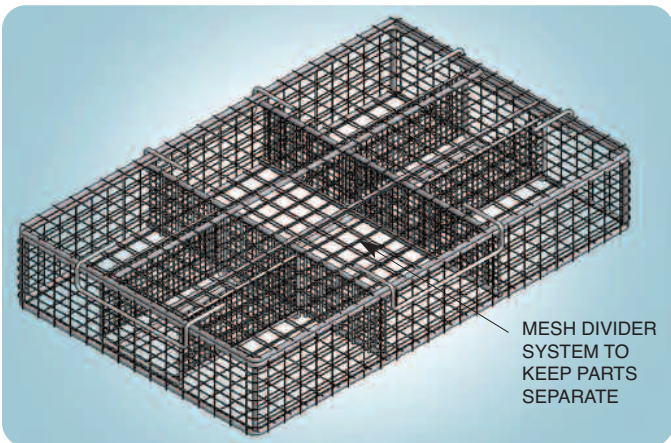
SECURE LOCKING-LID SYSTEM WITH FINE MESH AND PRODUCT IDENTIFICATION STENCIL

887001



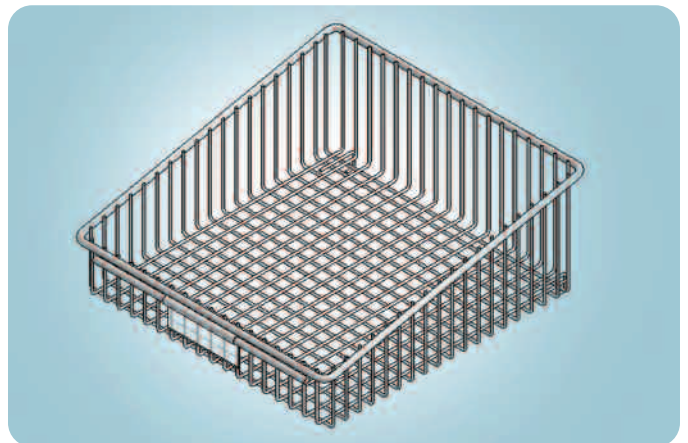
COATED HOOK FOR NON-ABRASION ON SENSITIVE PARTS

100



MESH DIVIDER SYSTEM TO KEEP PARTS SEPARATE

221001



354003

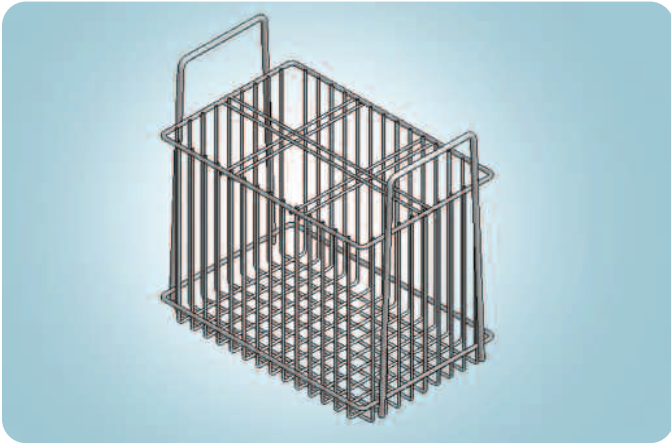
Marlin Steel Wire Products

410-644-7456 • 410-644-7457 fax • engineering@marlinwire.com • www.marlinwire.com

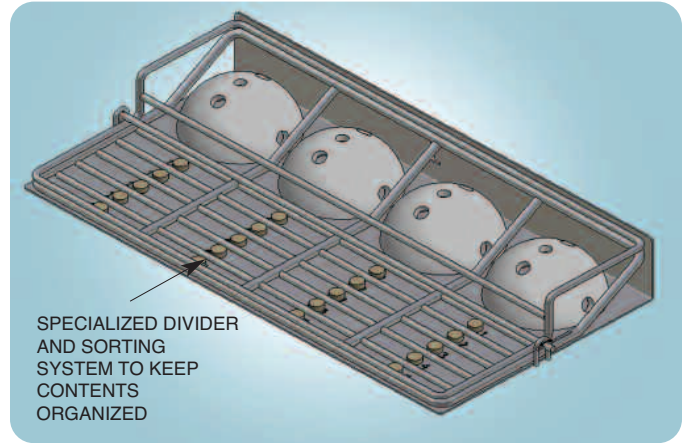
SINCE 1968 • USA QUALITY • OUR CLIENTS INCLUDE BAXTER, BOEING, BOSTON SCIENTIFIC, CATERPILLAR, FORD, GENERAL ELECTRIC, GENERAL MOTORS, HONEYWELL, JOHNSON & JOHNSON, ROLLS-ROYCE, RUBBERMAID, SIEMENS, SIKORSKY, TOYOTA, ZIMMER



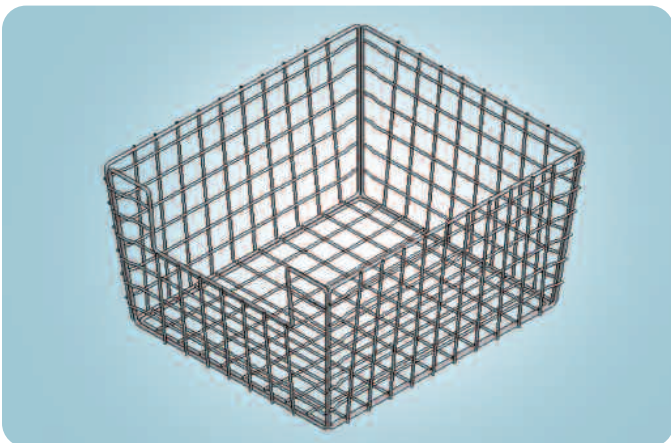
Racks, Baskets, Hooks *Fast*



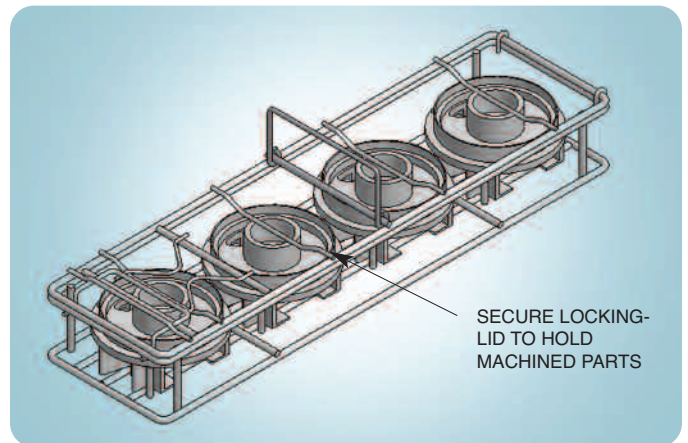
361002



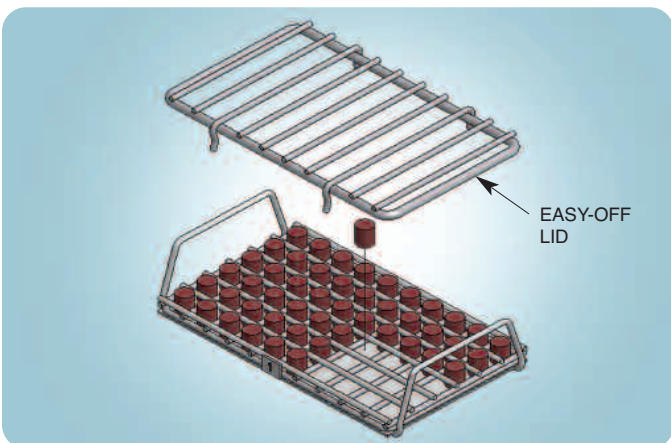
831001



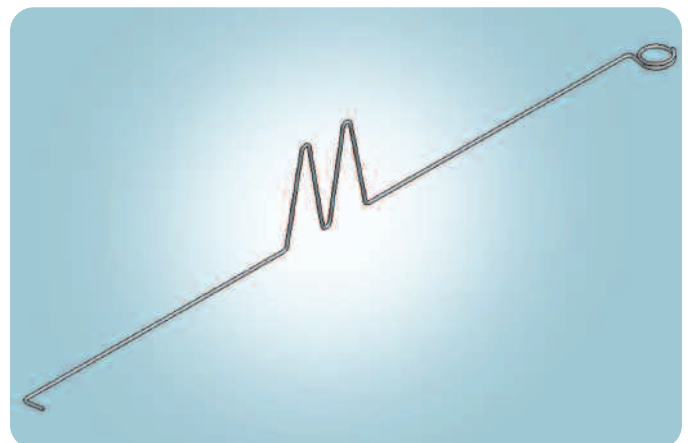
363001



100



388001



430004

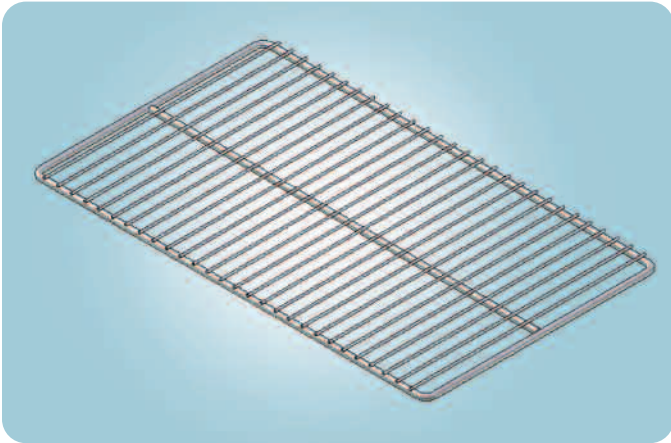
Marlin Steel Wire Products

410-644-7456 • 410-644-7457 fax • engineering@marlinwire.com • www.marlinwire.com

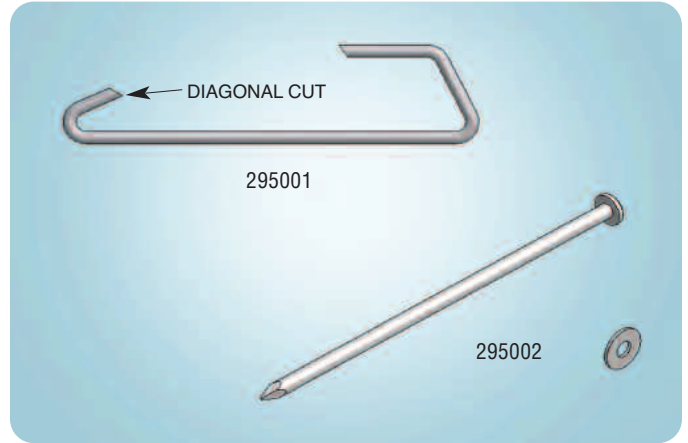
SINCE 1968 • USA QUALITY • OUR CLIENTS INCLUDE BAXTER, BOEING, BOSTON SCIENTIFIC, CATERPILLAR, FORD, GENERAL ELECTRIC, GENERAL MOTORS, HONEYWELL, JOHNSON & JOHNSON, ROLLS-ROYCE, RUBBERMAID, SIEMENS, SIKORSKY, TOYOTA, ZIMMER



Racks, Baskets, Hooks *Fast*



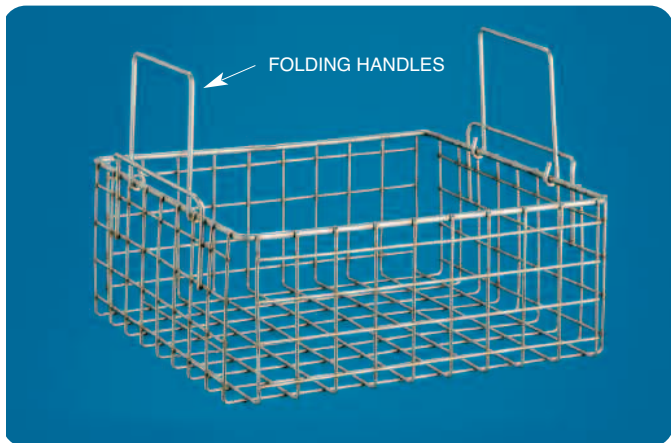
6009



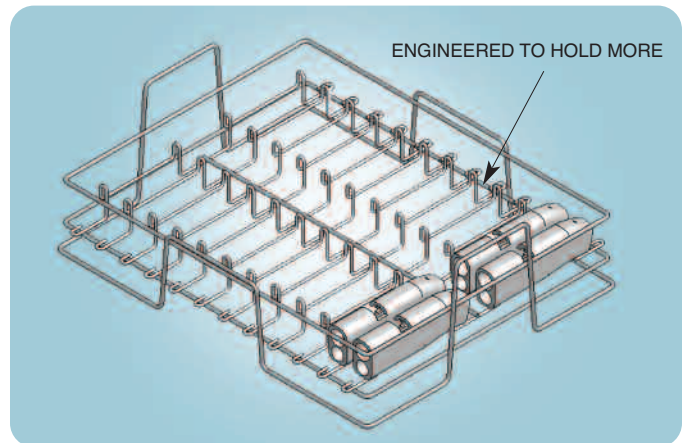
295001

295002

295001, 295002



72001-11



75001



Hook 206001



920

Marlin Steel Wire Products

410-644-7456 • 410-644-7457 fax • engineering@marlinwire.com • www.marlinwire.com

SINCE 1968 • USA QUALITY • OUR CLIENTS INCLUDE BAXTER, BOEING, BOSTON SCIENTIFIC, CATERPILLAR, FORD, GENERAL ELECTRIC, GENERAL MOTORS, HONEYWELL, JOHNSON & JOHNSON, ROLLS-ROYCE, RUBBERMAID, SIEMENS, SIKORSKY, TOYOTA, ZIMMER

